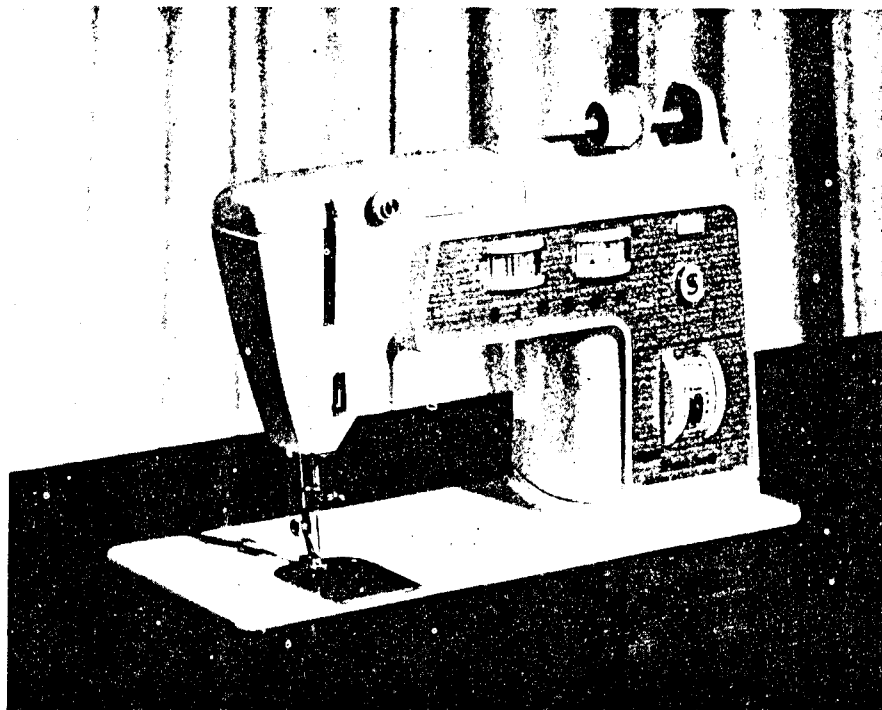


# **SINGER**

## **750E3**

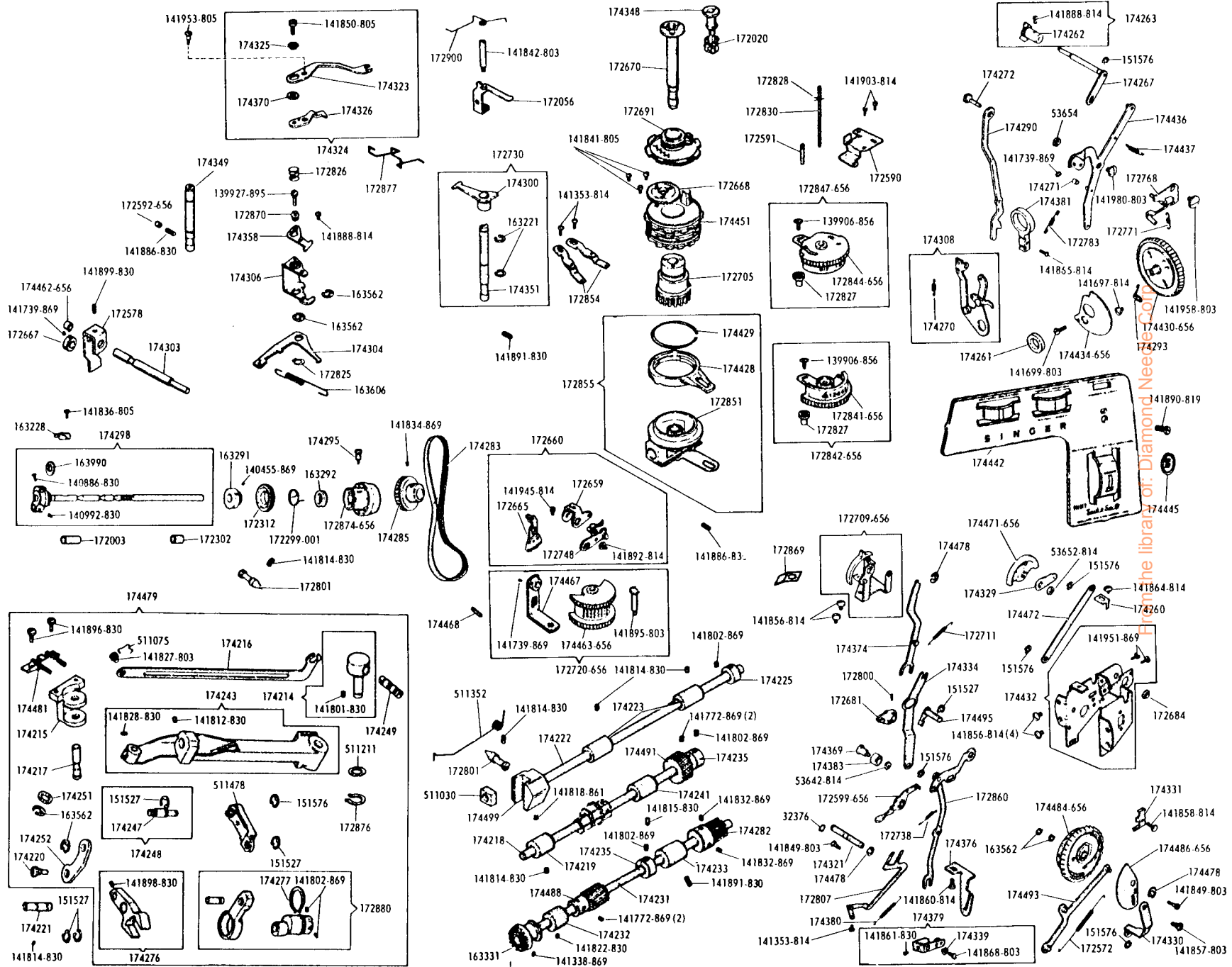
## List of Parts—Machine No. 750E3

ATTACHMENT SET 171240

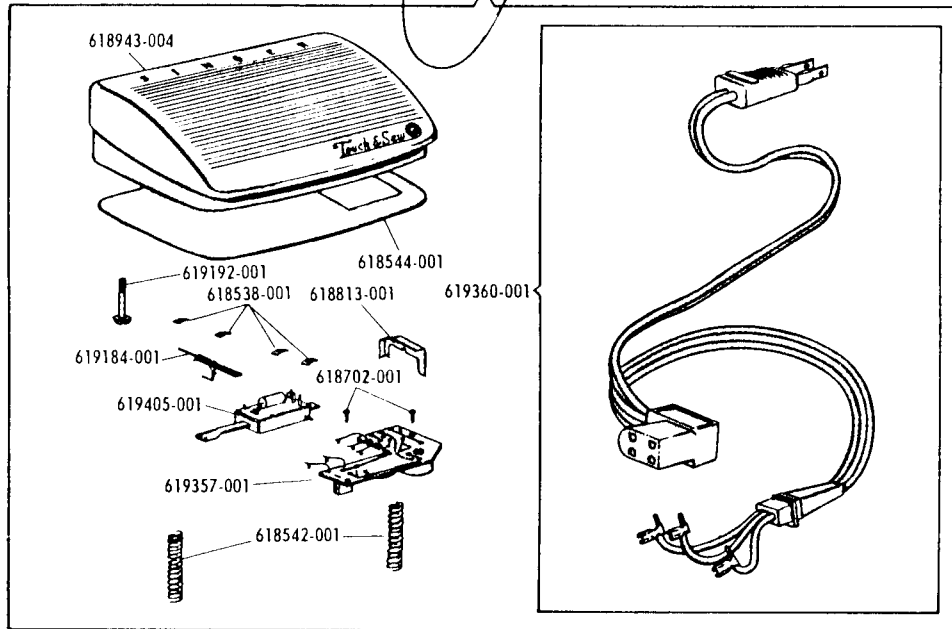
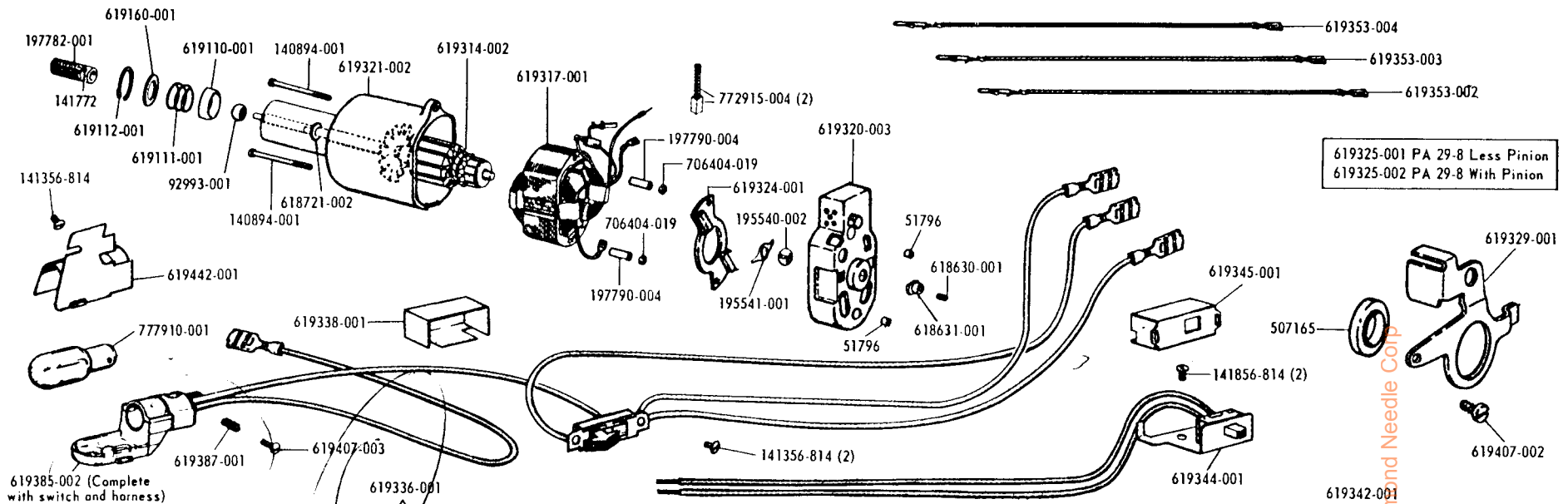
21906	Chainstitch Attachment Loop Retainer Disc
102884	Container (plastic) with Twin Needle Catalog 2028, Size 14 and two Needles Catalog 2045, Size 14
161133	Tube of Oil
161166	Presser Foot, for cording and slide fastener work
161168	Presser Foot, for button sewing
161172	Seam and Blindstitch Hem Guide complete
161276	Lint Brush
161917	Presser Foot Plate (snap-on) for sewing buttonholes
161919	Presser Foot Plate (snap-on) for straight sewing
161921	Presser Foot Plate (snap-on, slotted), for overedge stretch stitch
163131	Bobbin (6)
163455	Chainstitch Attachment Thread Guide
163483	Special Purpose Presser Foot
171137	Throat Plate, for straight sewing
171138	Feed Cover Plate, for darning and embroidery
171150-656	Spool Pin, for two-needle stitching
171230-656	Attachment Box Complete
171238	Chainstitch Attachment Throat Plate
171317	Disc No. 1, for Arrowhead Stitch
171318	Disc No. 2, for Scallop Stitch
171319	Disc No. 3, for Diamond Stitch
171320	Disc No. 4, for Solid Scallop Stitch
171321	Disc No. 5, for Banner Stitch
171326	Disc No. 11, for Ribbon Stitch
171327	Disc No. 12, for Domino Stitch
171329	Disc No. 19, for Block Stitch
172692	Disc (double) No. 52, for Duck Stitch
172693	Disc (double) No. 53, for Paris Point Stitch
172694	Disc (double) No. 54, for Turkish Hem Stitch
172695	Disc (double) No. 55, for Overedge Stitch
172696	Disc (double) No. 56, for Star Stitch
172697	Disc (double) No. 57, for Leaf Stitch
172698	Disc (double) No. 58, for Sunburst Stitch
172837	Disc (double) No. 59, for Overedge Stretch Stitch
-----	Needle Catalog 2020, Size 14 (3)



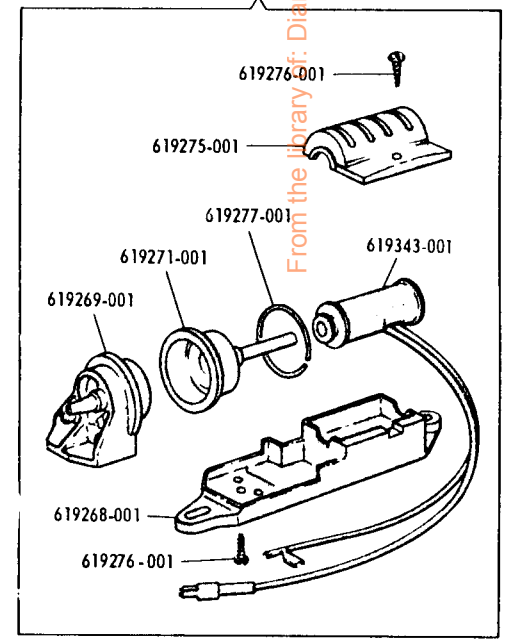
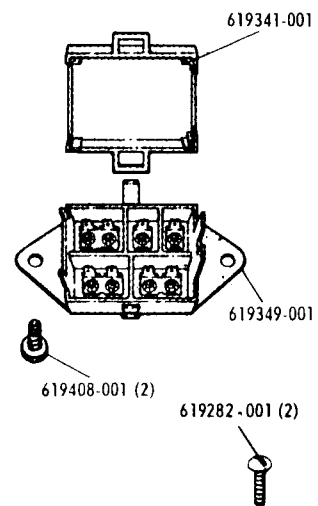
# List of Parts—Machine No. 750E3



# Electrical Parts—Machine No. 750E3



Motor Complete:  
#603807-102



From the library: Diagram and Needle Corp.

Timing belt  
#174283

